

LEX25-AF Order Form

Date _____
 AVFI Sales REP _____
 Customer Signature _____

Quote No. _____
 Customer No. _____
 AVFI No. _____

Office Use Only

To generate your order form, please refer to the information provided below to insert the alphabetic and/or numeric code in the respective category boxes. Please note that without this filled out Order Form, your purchase **cannot** be processed.

1	2	3	4
Product Model	Finish	Chargeable Accessories (One Code Per Box)	Custom Cutouts
LEX25-AF			

1 Product Model



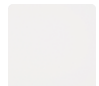
**Custom full color
Logo or graphic available
and installed!**
 Contact sales for details

Integrated **RGB LED Lights** with Dimmer switch,
 Remote control and Bluetooth App
 (Includes 6-Outlet power bar)

Code **LEX25-AF**

2 Choose Product Finish

Standard Finishes
 Only available in Designer White CWT



CWT

3 Chargeable Accessories (Check all that apply)

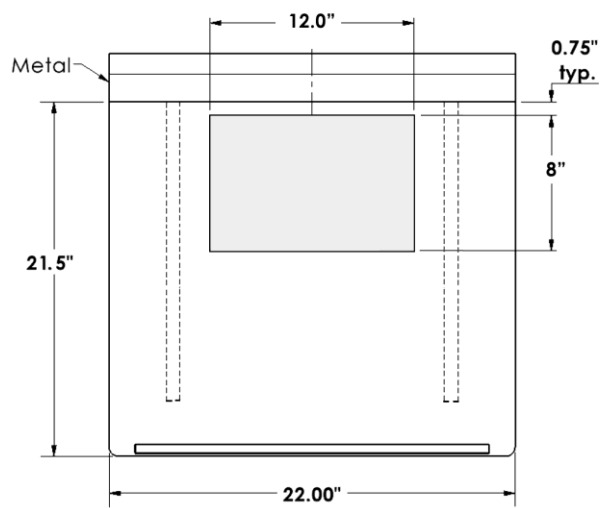
Code **O0** No Accessories

- * Code **D1** **MIC-18** MX418 S/C Microphone..... Qty _____
- * Code **D2** **LIGHT-18** Gooseneck Light..... Qty _____
- * Code **D3** **FM3** Timer/Clock..... Qty _____
- * Code **E3** **CUB3** Round Cable Well..... Qty _____
- * Code **E5** **CUB5** Black Round Cable Well..... Qty _____
- * Code **E6** **CUB5** Silver Round Cable Well..... Qty _____
- * Code **E7** **PC-PATCH** Power-Data Module..... Qty _____
- * Code **EJ** **CUB22** 3 Module Power Panel (Black)..... Qty _____
- * Code **EK** **CUBM3** 3 Module Power & Data Panel (Black)..... Qty _____
- * Code **EL** **CUBM4** 4 Module Power & Data Panel (Black)..... Qty _____
- * Code **N7** **CHLD245** Cup Holder (Installs under top shelf)..... Qty _____
- Code **P11** **LEX24-AF-GP** LEX25-AF Graphic Print..... Qty _____


*Printed on Clear Static Cling Film that will stick to the acrylic surface, with a **Maximum artwork size of 15"W x 37"H**.
 (Requires Artwork approval from customer)

4 Custom Cutout Option (Extra charges will apply)

Please indicate custom cutout location on the drawing below



Code **CO** No Custom Cutout
 Code **CC** Custom Cutout (Specify on Cutout Area Above)

 cutout Area (1x - 12" W x 8" D)

* Cutout Required
 § Only on Flat Cutout

Comments (Please use this section to provide additional information)

Notes

CAD Drawings/Symbols
 CAD drawings are available by request at sales@avfi.com

Custom Cutouts Estimated lead time within 20 business days from receipt of P.O. and signed drawings.

Customizations
 Modifications to design such as shape and/or size variations have to be quoted on a per case basis and are applicable for quantities of 10+ only.